

09 Ventilation Blowers

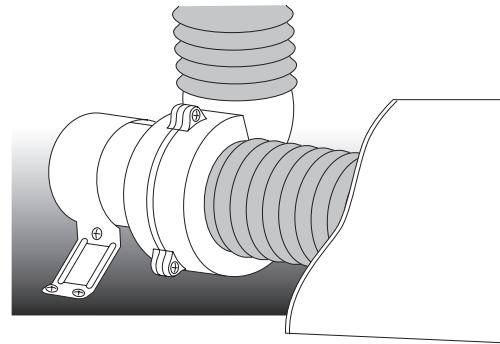
INTRODUCTION



Jabsco DC Blowers are designed to remove fumes from the engine compartments of gasoline powered boats prior to start-up, and therefore conform to ISO 8846 MARINE and USCG Regulations for ignition protection. They are listed as N.M.M.A. type accepted and comply with ISO 9097 MARINE and are CE marked. AC models are not ignition protected.

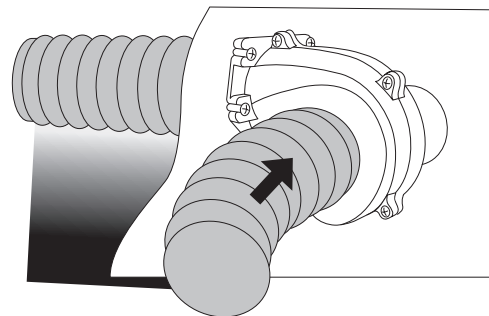
Jabsco Blowers can also be used for air intake or extraction in galleys, bilges, accommodation and head compartments. Only the heavy-duty blowers are designed for continuous duty operation in commercial or heavy use applications. Blowers should not be installed close to sources of direct heat exceeding 180°F (55°C).

Flangemount Blowers



Flangemount Blowers are of a radial design, which gives the highest output in more complex installations with longer ducting lengths and/or multiple bends in the ducting. They are generally mounted directly onto a flat bulkhead using a mounting collar to connect to the discharge ducting. This allows a very neat installation on an engine room bulk head.

Flexmount Blowers



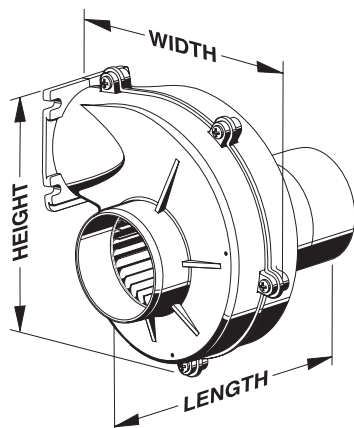
Flexmount Blowers are also of radial design, but are installed by attaching a mounting collar (supplied with the blower) around the motor to any convenient solid surface. They can be rotated inside the collar to allow the shortest ducting lengths and most convenient routings in confined spaces. Both ports are designed for slip-on flexible ducting connections.

Ventilation Blowers 09

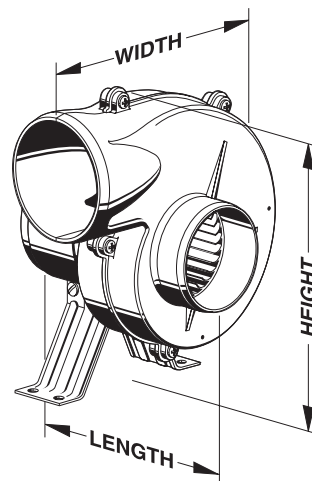
HEAVY-DUTY RADIAL BLOWERS

Sizing Definitions

Flangemount



Flexmount



Heavy-Duty Flangemount Blowers

Heavy-Duty Flangemount Blowers are designed for applications such as commercial or high-use engine room ventilation and extraction where a long-life requirement demands heavy-duty motors with long brush life. Built to provide the same high outputs as our standard specification blowers.

- 5,000 hour motor life for the heaviest of applications.
- Continuous duty.
- Efficient high-volume air flow.
- Outlet flange mounts directly on bulkhead.
- Slip-on inlet ducting connection.
- Low current draw.
- Corrosion-resistant materials throughout.
- Dimensionally stable, quiet-running Delrin rotors.
- Complies with USCG 183.410 and ISO 8846 MARINE (Ignition Protection) – DC only. ISO 9097 MARINE (Electric Fans).



FITTING	4" (100mm) ducting
SIZE	9-1/2" long x 8-3/4" wide x 9" high (24cm x 22cm x 23cm)
WEIGHT	DC: 6lb (2.7kg) AC: 8lb (3.6kg)
VOLUME	250cfm (7.1m ³ /min) output

MODEL	DESCRIPTION
35760-0092	12V DC, flangemount, fuse 15 amp
35760-0094	24V DC, flangemount, fuse 10 amp
36760-0115	115V AC, 60Hz, flangemount, fuse 2 amp. Not available in Europe.

Heavy-Duty Flexmount Blowers

Flexmount Blowers are built to the same high specification as the Heavy-Duty Flangemount Blowers for use as air intake or extraction systems in engine rooms, fuel compartments, galleys or heads.

- 5,000 hour motor life for the heaviest of applications.
- Continuous duty.
- Efficient high-volume air flow.
- Flex mounting for 360° adjustable outlet.
- Slip-on inlet ducting connections.
- Low current draw.
- Corrosion-resistant materials throughout.
- Dimensionally stable, quiet-running Delrin rotors.
- Complies with USCG 183.410 and ISO 8846 MARINE (Ignition Protection) – DC only. ISO 9097 MARINE (Electric Fans).



FITTING	4" (100mm) ducting
SIZE	9" long x 9-1/2" wide x 9-3/4" high (23cm x 24cm x 25cm)
WEIGHT	DC: 7lb (3.2kg) AC: 9lb (4.1kg)
VOLUME	250cfm (7.1m ³ /min) output

MODEL	DESCRIPTION
35770-0092	12V DC, flexmount, fuse 15 amp
35770-0094	24V DC, flexmount, fuse 10 amp
36770-0115	115V AC, 60Hz, flexmount, fuse 2 amp. Not available in Europe.

09 Ventilation Blowers

RADIAL & IN-LINE BLOWERS



Flangemount Blowers

Range of high-volume air intake or extraction blowers for engine room, fuel compartment, galley or heads.

- Outlet flange mounts directly on bulkhead.
- Slip-on inlet ducting connection.
- Low current draw.
- Dimensionally stable, quiet-running Delrin rotors.
- Corrosion-resistant materials throughout.
- Complies with USCG 183.410 and ISO 8846 MARINE (Ignition Protection).
- ISO 9097 MARINE (Electric Fans).



OUTPUT VOLUME	MODEL NUMBER	VOLTS	FUSE SIZE	HEIGHT	WIDTH	LENGTH	FITTING	WEIGHT
105cfm (3m ³ /min)	35115-0020	12V DC	6	5-1/2" (14cm)	4-3/4" (12cm)	6-3/4" (17cm)	3" (75mm) ducting	4lb (1.8kg)
150cfm (4.2m ³ /min)	34739-0010	12V DC	10	7-3/4" (20cm)	6-3/4" (17cm)	8" (20cm)	3" (75mm) ducting	5lb (2.3kg)
150cfm (4.2m ³ /min)	34739-0020	24V DC	5	7-3/4" (20cm)	6-3/4" (17cm)	8" (20cm)	3" (75mm) ducting	5lb (2.3kg)
250cfm (7.1m ³ /min)	35400-0000	12V DC	15	9" (23cm)	8-3/4" (22cm)	8-3/4" (22cm)	4" (100mm) ducting	6lb (2.7kg)
250cfm (7.1m ³ /min)	35400-0010	24V DC	7.5	9" (23cm)	8-3/4" (22cm)	8-3/4" (22cm)	4" (100mm) ducting	6lb (2.7kg)

Flexmount Blowers

Range of high-volume air intake or extraction blowers for engine room, fuel compartment, galley or heads.

- Flexmounting for 360° adjustable outlet.
- Slip-on inlet and outlet ducting connections.
- Low current draw.
- Dimensionally stable, quiet-running Delrin rotors.
- Corrosion-resistant materials throughout.
- Complies with USCG 183.410 and ISO 8846 MARINE (Ignition Protection).
- ISO 9097 MARINE (Electric Fans).

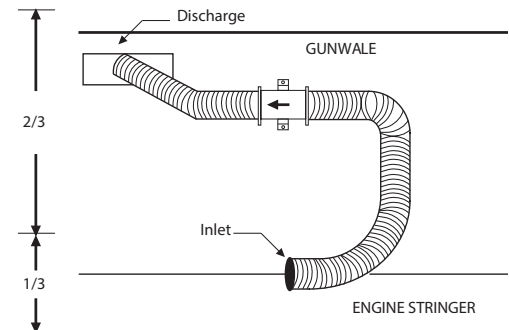


OUTPUT VOLUME	MODEL NUMBER	VOLTS	FUSE SIZE	HEIGHT	WIDTH	LENGTH	FITTING	WEIGHT
105cfm (3m ³ /min)	35115-0010	12V DC	6	5-1/2" (14cm)	5" (13cm)	6-3/4" (17cm)	3" (75mm) ducting	3.5lb (1.6kg)
140cfm (4.0m ³ /min)	36740-0031	115V AC	1.25	9" (23cm)	7-3/4" (20cm)	8-1/4" (21cm)	3" (75mm) ducting	5lb (2.3kg)
150cfm (4.2m ³ /min)	36740-0000	12V DC	10	9" (23cm)	8-1/4" (21cm)	8" (20cm)	3" (75mm) ducting	5.5lb (2.5kg)
150cfm (4.2m ³ /min)	36740-0010	24V DC	5	9" (23cm)	8-1/4" (21cm)	8" (20cm)	3" (75mm) ducting	5.5lb (2.5kg)
250cfm (7.1m ³ /min)	35440-0000	12V DC	15	9-5/8" (24.5cm)	9-3/16" (23.4cm)	9-1/8" (23.2cm)	4" (100mm) ducting	7lb (3.2kg)
250cfm (7.1m ³ /min)	35440-0010	24V DC	7.5	9-5/8" (24.5cm)	9-3/16" (23.4cm)	9-1/8" (23.2cm)	4" (100mm) ducting	7lb (3.2kg)

In-Line Blowers

Rule In-Line Blowers provide ventilation for bilges, engine compartments, galleys and heads. Designed for efficient, high output operation, these blowers feature our exclusive front and rear shaft seals and corrosion-resistant motor housings for long life. Compact and easily installed on any flat surface, Rule In-Line Blowers provide higher air flow and lower amp draw.

- Efficient high-volume air flow.
- Quiet operation.
- Low amp draw.
- Slip-on inlet and outlet ducting connections.
- Sealed motor shaft for moisture protection.
- Corrosion-resistant nickel-plated motor housing.
- ABYC - H2; ISO 9097.
- IMCI (CE).
- N.M.M.A. type accepted.
- USCG 183.410 Compliant; Ignition protected.



MODEL NUMBER	VOLTS	FUSE SIZE	HEIGHT	WIDTH	LENGTH	FITTING	WEIGHT
140	12V DC	4	3-3/16" (8.1cm)	3" (7.6cm)	5" (12.7cm)	3" (75mm) ducting	1.2lb (0.55kg)
140-24V	24V DC	2.5	3-3/16" (8.1cm)	3" (7.6cm)	5" (12.7cm)	3" (75mm) ducting	1.2lb (0.55kg)
240	12V DC	4	4-3/16" (10.6cm)	4" (10.2cm)	6" (15.2cm)	4" (100mm) ducting	1.28lb (0.58kg)
240-24V	24V DC	2.5	4-3/16" (10.6cm)	4" (10.2cm)	6" (15.2cm)	4" (100mm) ducting	1.28lb (0.58kg)